

**WORK GRIPPER**

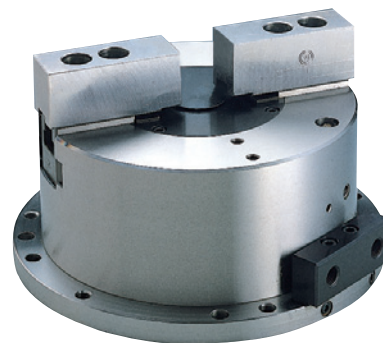
2爪ワークグリッパ

AT series

突起物ワークも確実把握

M/C関係のワークホールディングもKITAGAWA

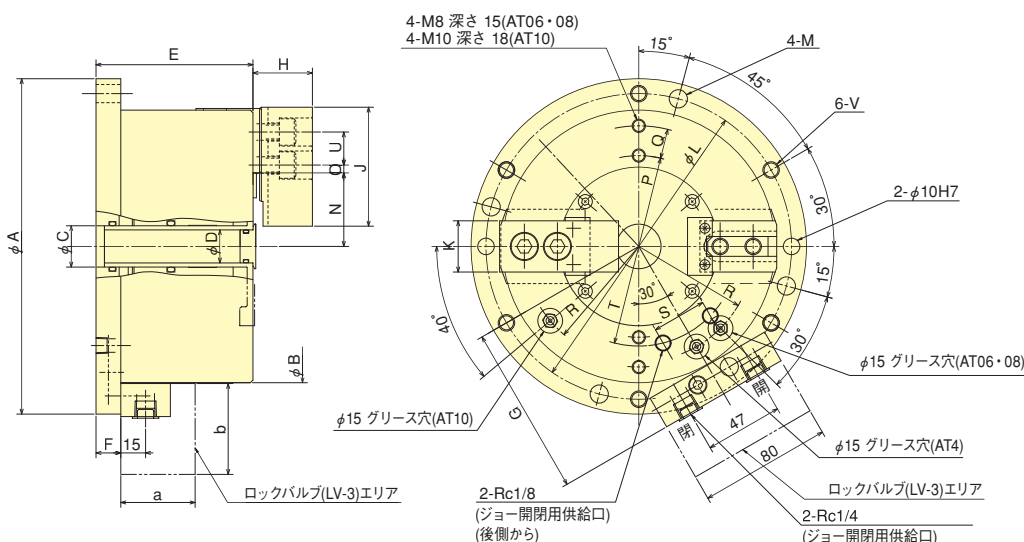
- エアシリンダを内蔵した薄型・軽量設計
- エア配管だけで取付け簡単
- バーワークやエアブローに最適の中空構造
- 当社パワーチャックとのソフトジョー共用可能
- オプションのロックバルブユニット使用により、配管を外して加工可能



※配管回路にルブリケータを設けてください。

*CE対応品

■ 寸法図



■ 寸法表 ※a, bの寸法はLV-3(ロックバルブ)の寸法

| 型式 | 寸法 | φA (H7) | φB | φC | φD | E | F | G | G | H | J | K | φL (±0.2) | φM | N max. | N min. | O max. | O min. | P | Q |
|------|----|---------|-----|------|----|-----|----|-------|---------|----|-----|----|-----------|----|--------|--------|--------|--------|----|----|
| AT04 | | 148 | 110 | 20H7 | - | 90 | 15 | 75.5 | (110.5) | 27 | 55 | 23 | 130 | 9 | 25.5 | 22.9 | 8.75 | 7.25 | - | - |
| AT06 | | 203 | 165 | 25H7 | 20 | 95 | 15 | 103 | (138) | 36 | 72 | 31 | 185 | 11 | 44.5 | 41.9 | 9.25 | 4.75 | 55 | 18 |
| AT08 | | 248 | 210 | 36H7 | 30 | 106 | 15 | 125.5 | (160.5) | 42 | 95 | 35 | 230 | 11 | 53 | 49.85 | 15 | 9 | 68 | 25 |
| AT10 | | 300 | 254 | 50H7 | 43 | 110 | 16 | 147.5 | (182.5) | 46 | 110 | 40 | 280 | 13 | 66 | 62.85 | 16 | 8.5 | 85 | 30 |

| 型式 | 寸法 | R | S | T | U | V | a | b |
|------|----|-----|----|------|----|-----|----|----|
| AT04 | | 43 | 33 | 34 | 14 | M8 | 45 | 55 |
| AT06 | | 70 | 33 | 60.3 | 20 | M10 | 45 | 55 |
| AT08 | | 90 | 33 | 80 | 25 | M10 | 45 | 55 |
| AT10 | | 110 | 33 | 95 | 30 | M12 | 45 | 55 |

■ 仕様表 ※空気消費量はプランジャストロック10mm当り、圧力0.6MPa時 ※把握径/把握範囲は標準のソフトジョーを使用した場合。

| 型式 | 仕様 | ジョーストロック (直径) mm | 把握力 [エア圧力 0.6MPa] kN | 質量 kg | 許容最大エア圧力 MPa | 適用ソフトジョー | 把握径 mm | | 空気消費量 (Nl) |
|------|----|------------------|----------------------|-------|--------------|----------|--------|------|------------|
| | | | | | | | Max. | Min. | |
| AT04 | | 5.2 | 7.5 | 6.9 | 0.6 | SJ04A1T | 110 | 10 | 0.40 |
| AT06 | | 5.2 | 21.0 | 15.0 | 0.6 | SJ06A1T | 165 | 31 | 1.04 |
| AT08 | | 6.3 | 33.0 | 26.7 | 0.6 | SJ08A1 | 210 | 41 | 1.81 |
| AT10 | | 6.3 | 48.0 | 40.8 | 0.6 | SJ10A1 | 254 | 61 | 2.52 |



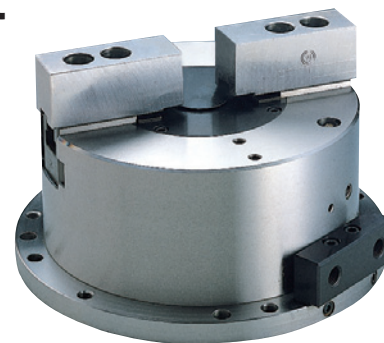
WORK GRIPPER

2-Jaw Work Gripper

AT series

Secure gripping of all types of component
Can be used as an alternative to a fixture

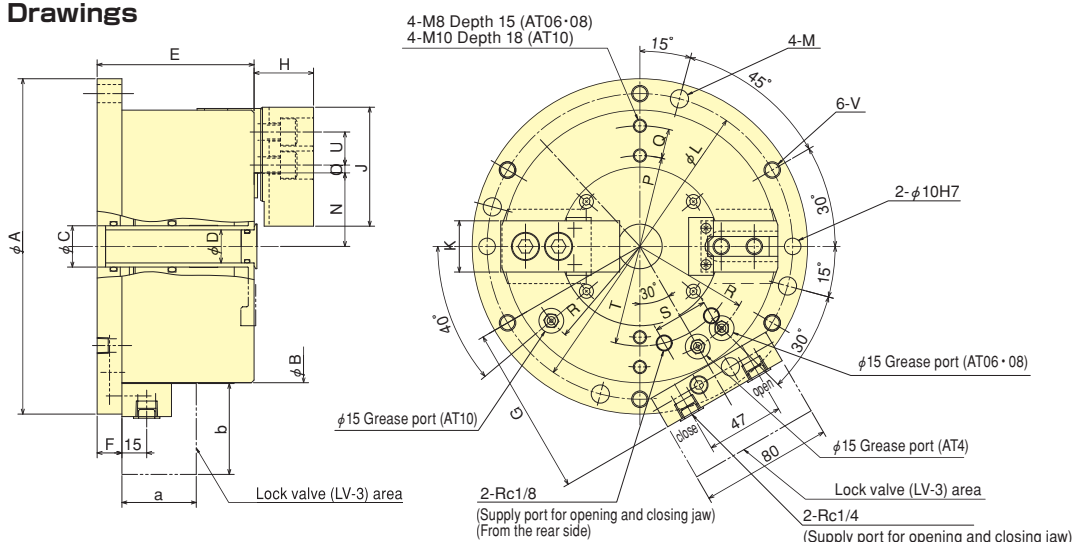
- Small and lightweight design, with inbuilt air cylinder
- Easy mounting by air piping
- Hollow structure optimal for bar work-piece and air blow
- Standard Soft Jaw for Power Chuck is used
- By using the optional lock valve unit, it is possible to remove the piping during machining



※Provide a lubricator in the piping circuit.

*CE corresponding

Dimensional Drawings



Dimensions

※The dimensions of a/b marked are the size of LV-3(Lock-valve).

| Model | Dimensions | φA (H7) | φB | φC | φD | E | F | G | G | H | J | K | φL (±0.2) | φM | N max. | N min. | O max. | O min. | P | Q |
|-------|------------|---------|-----|------|----|-----|----|-------------|---|----|-----|----|-----------|----|--------|--------|--------|--------|----|----|
| AT04 | | 148 | 110 | 20H7 | — | 90 | 15 | 75.5 (110) | | 27 | 55 | 23 | 130 | 9 | 25.5 | 22.9 | 8.75 | 7.25 | — | — |
| AT06 | | 203 | 165 | 25H7 | 20 | 95 | 15 | 103 (138) | | 36 | 72 | 31 | 185 | 11 | 44.5 | 41.9 | 9.25 | 4.75 | 55 | 18 |
| AT08 | | 248 | 210 | 36H7 | 30 | 106 | 15 | 125.5 (160) | | 42 | 95 | 35 | 230 | 11 | 53 | 49.85 | 15 | 9 | 68 | 25 |
| AT10 | | 300 | 254 | 50H7 | 43 | 110 | 16 | 147.5 (182) | | 46 | 110 | 40 | 280 | 13 | 66 | 62.85 | 16 | 8.5 | 85 | 30 |

| Model | Dimensions | R | S | T | U | V | a | b |
|-------|------------|-----|----|------|----|-----|----|----|
| AT04 | | 43 | 33 | 34 | 14 | M8 | 45 | 55 |
| AT06 | | 70 | 33 | 60.3 | 20 | M10 | 45 | 55 |
| AT08 | | 90 | 33 | 80 | 25 | M10 | 45 | 55 |
| AT10 | | 110 | 33 | 95 | 30 | M12 | 45 | 55 |

Specifications

※Air Consumption = Under Pressure 0.6MPa Plunger Stroke per 10mm

※Gripping dia./gripping range is with standard soft jaws.

| Model | Specifications | Jaw Stroke (diameter) mm | Gripping Force [Pneumatic at 0.6MPa] kN | Net Weight kg | Max. air pressure MPa | Matching Soft top jaw | Gripping range mm | | Air consumption (N _l) |
|-------|----------------|--------------------------|---|---------------|-----------------------|-----------------------|-------------------|------|-----------------------------------|
| | | | | | | | Max. | Min. | |
| AT04 | | 5.2 | 7.5 | 6.9 | 0.6 | SJ04A1T | 110 | 10 | 0.40 |
| AT06 | | 5.2 | 21.0 | 15.0 | 0.6 | SJ06A1T | 165 | 31 | 1.04 |
| AT08 | | 6.3 | 33.0 | 26.7 | 0.6 | SJ08A1 | 210 | 41 | 1.81 |
| AT10 | | 6.3 | 48.0 | 40.8 | 0.6 | SJ10A1 | 254 | 61 | 2.52 |