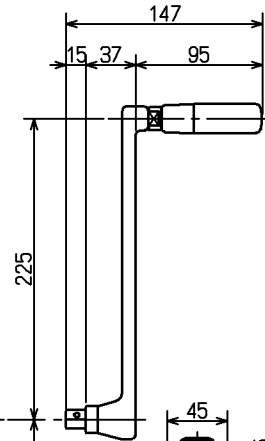
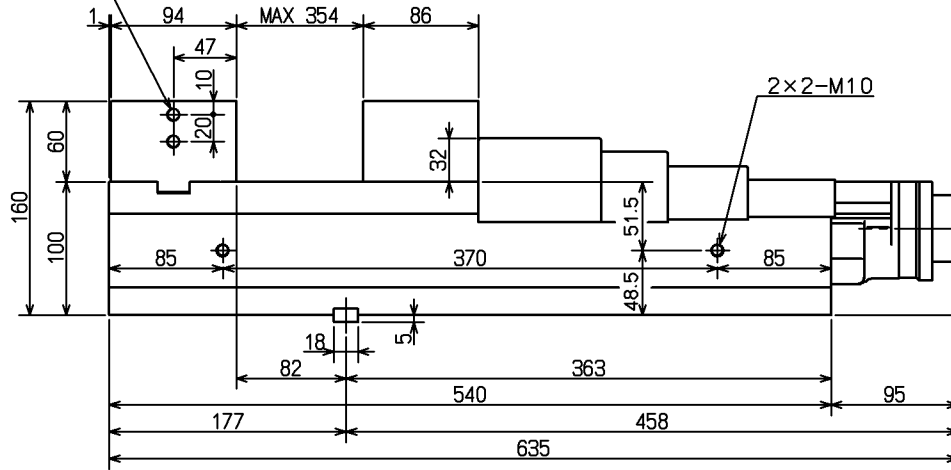
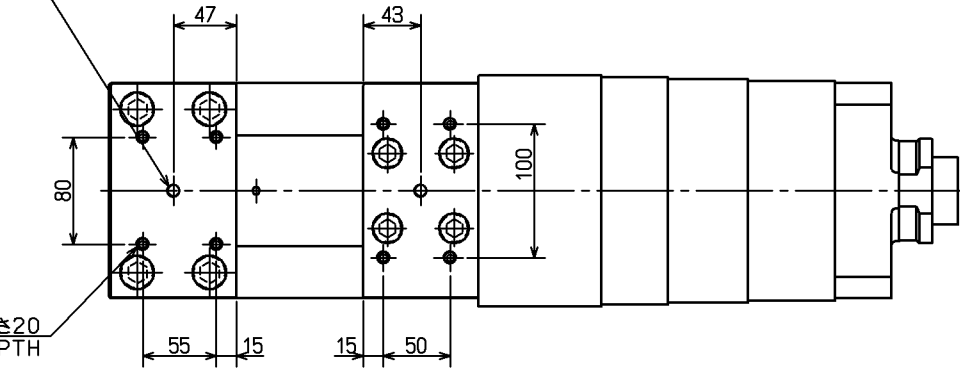
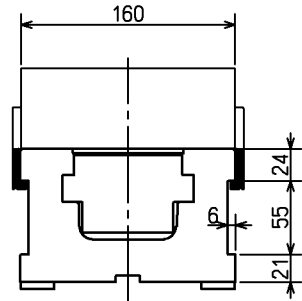


(吊りボルト用)  
(EYE BOLT)

仕様 SPECIFICATIONS	
口金の開き CLAMPING RANGE	0~354mm
締付トルク TIGHTENING TORQUE	
締付けレンジ CLAMP RANGE	0 10KN
	1 20KN
	2 32KN
	3 45KN
製品質量 MASS OF POWER VISE	69kg

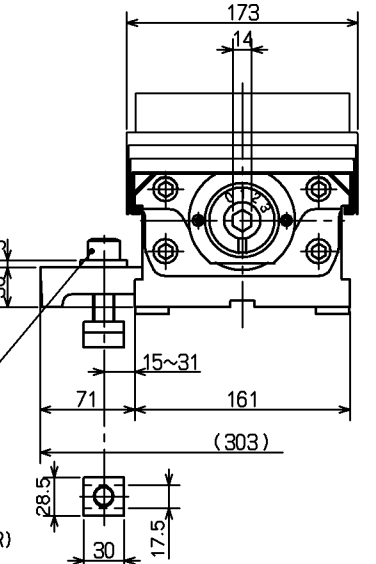
2×5-M10 深さ20  
DEPTH

2×2-M10 深さ20  
DEPTH



六角穴付ボルト  
M16×65  
HEX. SOCKET HEAD  
CAP SCREW

(押しえ金具4セット付属)  
(CLAMPING PARTS ACCESSORY 4 PAIR)



CAREER		SCALE	TYPE	VE160LN	WEIGHT	kg
MANAGER	CHIEF	DRAWN BY	NAME	パワーバイス POWER VISE		
			3RD ANGLE	VE160LN ガイイ VE160LN OUTSIDE VIEW		
KITAGAWA IRON WORKS CO., LTD.		DATE	DRW NO.	61M	39	6364