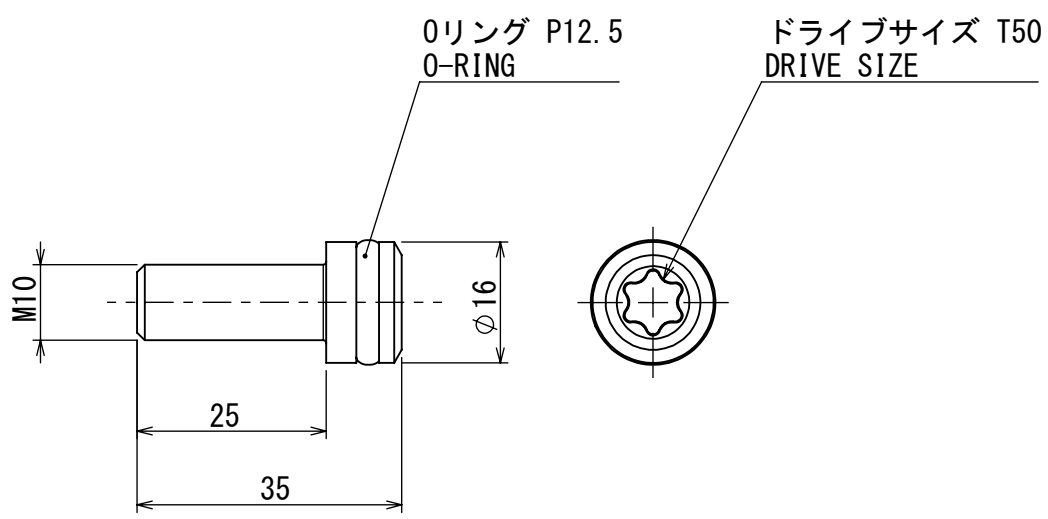


REV. NO.	DATE	REASON OF REVISION	REVISER	QUANTITY
----------	------	--------------------	---------	----------



対応型式
CORRECT TYPE

Tナット型式 T-NUT TYPE	BR-AJC06M
ワッシャ型式 WASHER TYPE	BRAJCWS10

CAREER			SCALE	TYPE	BRAJCBT10
			1:1	BR-AJC 6	
APPROVAL	IMSPECTION	DRW 3D		NAME	BRAJCBT10 OUTSIDE VIEW
			3RD ANGLE		
Kitagawa Corporation		DATE 2024/12/03		DRW NO.	61P497329