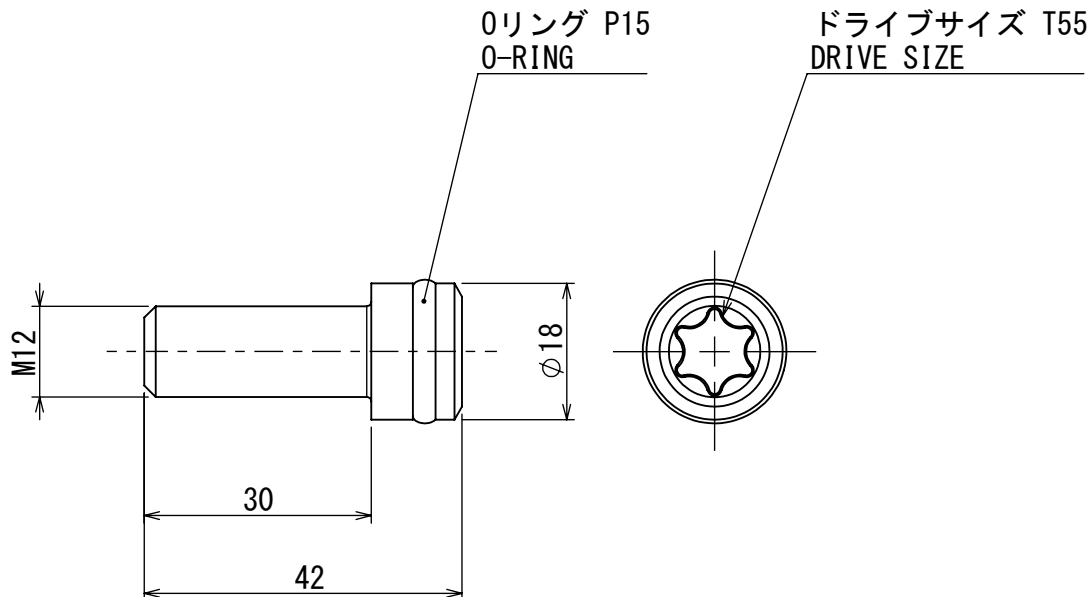


REV. NO.	DATE	REASON OF REVISION	REVISER	QUANTITY
----------	------	--------------------	---------	----------



対応型式  
CORRECT TYPE

Tナット型式 T-NUT TYPE	BR-AJC08M BR-AJC10M
ワッシャ型式 WASHER TYPE	BRAJCWS12

CAREER			SCALE	TYPE	BRAJCBT12
			1:1	BR-AJC 8	
APPROVAL	IMSPECTION	DRW 3D		NAME	BRAJCBT12 OUTSIDE VIEW
			3RD ANGLE		
Kitagawa Corporation		DATE 2024/12/03		DRW NO.	61P497331