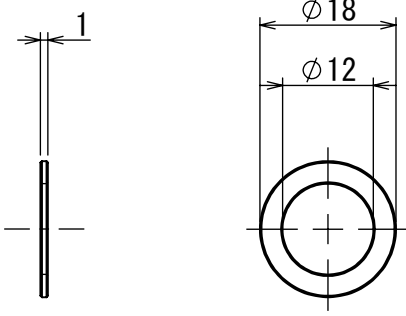


| | | | | |
|----------|------|--------------------|---------|----------|
| REV. NO. | DATE | REASON OF REVISION | REVISER | QUANTITY |
|----------|------|--------------------|---------|----------|



対応型式
CORRECT TYPE

| | |
|----------------------|------------------------|
| ボルト型式 BOLT TYPE | BRAJCBT12 |
| Tナット型式 T-NUT TYPE | BR-AJC08M BR-AJC10M |

| | | | | | |
|----------------------|------------|------------|-----------|----------|---------------------------|
| CAREER | | | SCALE | TYPE | BRAJCWS12 |
| | | | 1:1 | BR-AJC 8 | |
| APPROVAL | IMSPECTION | DRW 3D | | NAME | BRAJCWS12 OUTSIDE VIEW |
| | | 増田 | 3RD ANGLE | | |
| Kitagawa Corporation | | DATE | | DRW NO. | 61P497332 0 1/1 P |
| | | 2024/12/03 | | | |