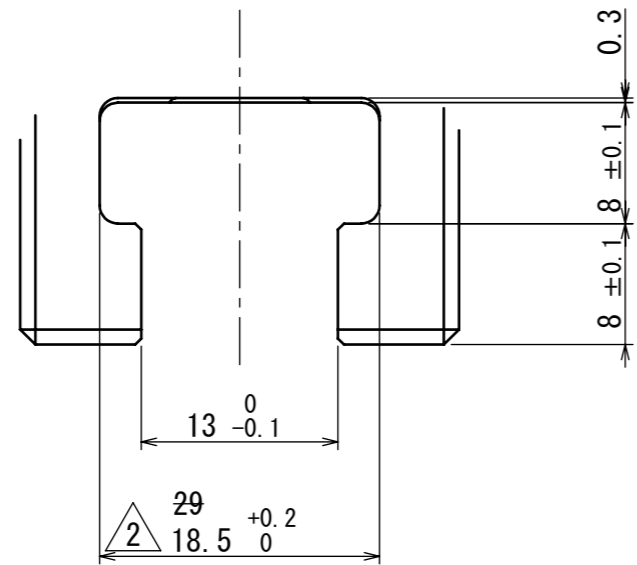
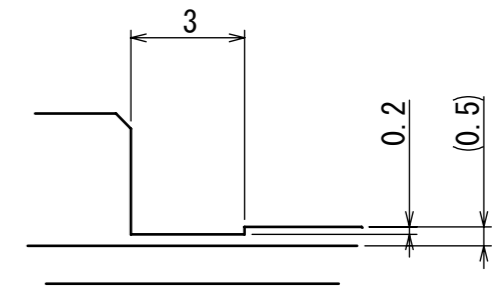
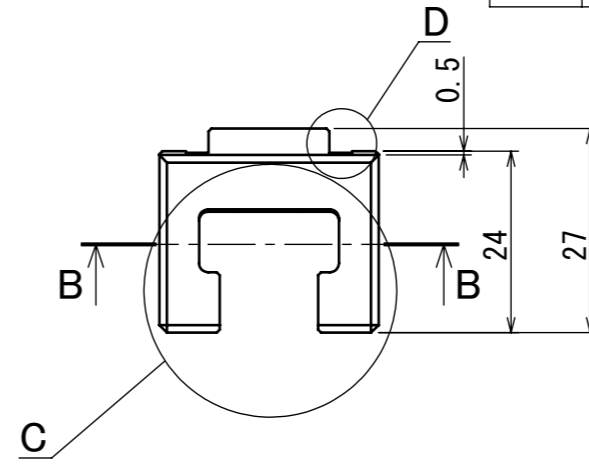


REV. NO.	DATE	REASON OF REVISION	REVISER	QUANTITY
1	2024/03/29		増田	2
2	2024/05/09		増田	1

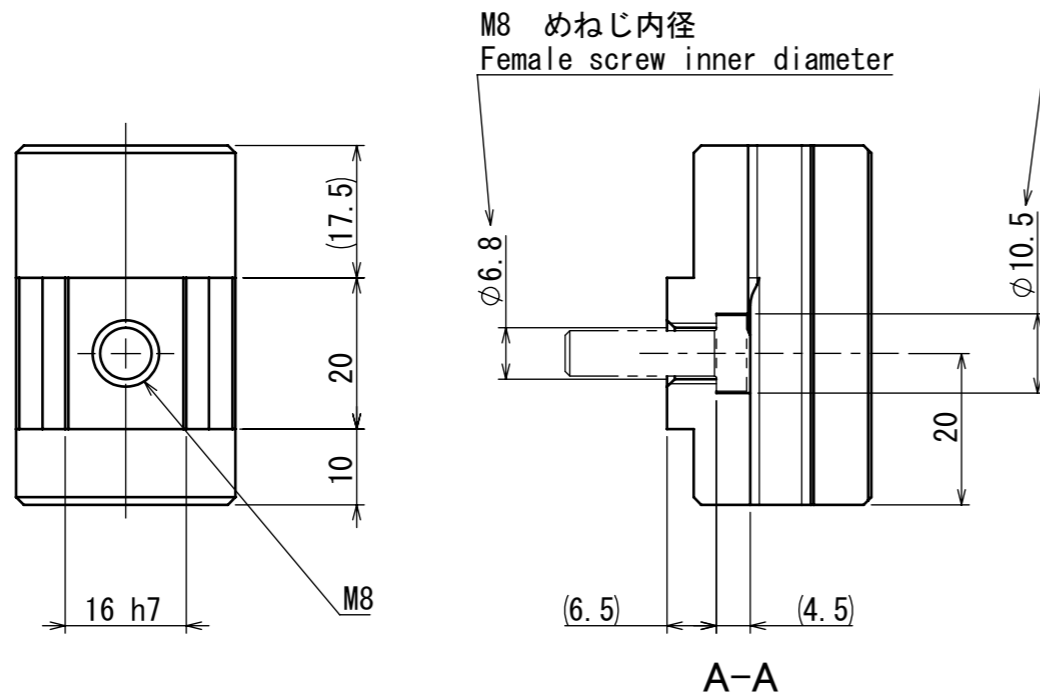


C (2 : 1)

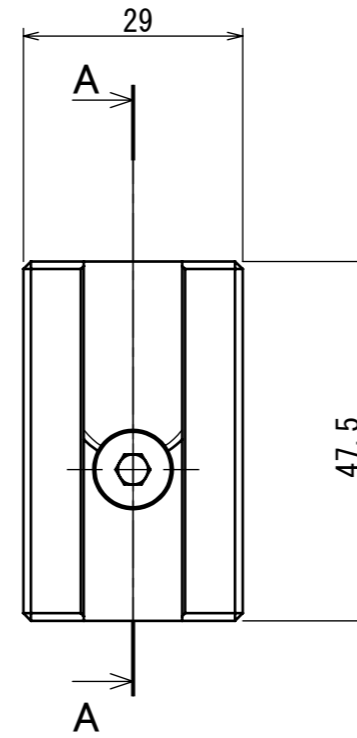


D (5 : 1)

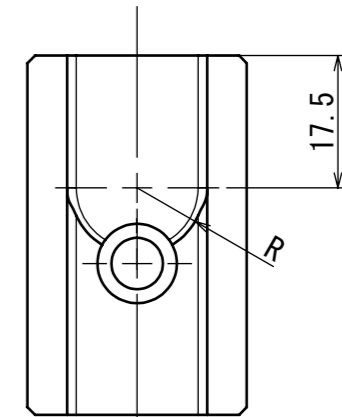
△1
 低頭六角穴付ボルトCBS6(ミスミ) 使用可能(客先手配)
 Low head hexagon socket head bolt
 CBS6(MISUMI) available(Customer arrangement)



A-A



A



B-B

対応型式
 CORRECT TYPE

Tナット型式 T-NUT TYPE	BR-AJC06M
----------------------	-----------

△1 BR-AJC06A

CAREER		SCALE	TYPE	BR-AJC06S
		1:1		BR-AJC 6
APPROVAL	INSPECTION	DRW 3D	NAME	BR-AJC06S OUTSIDE VIEW
		増田		
Kitagawa Corporation		DATE	3RD ANGLE	DRW NO.
		2024/02/05		61P866026 △2 1/1 P