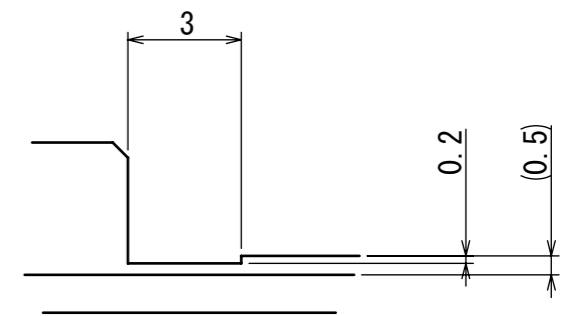
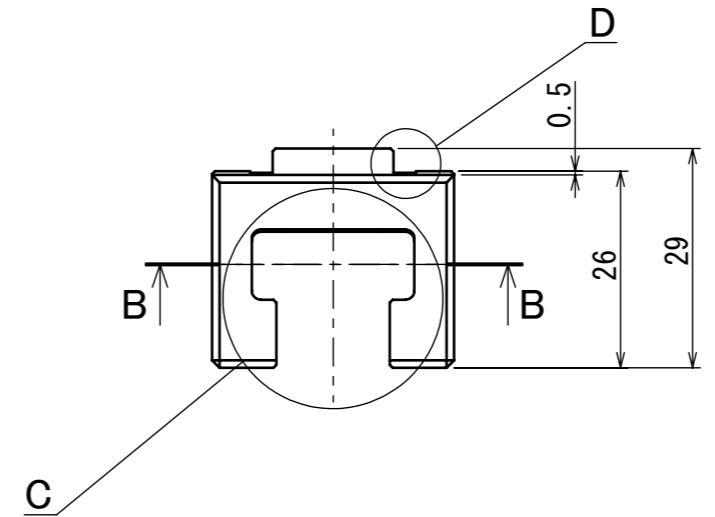
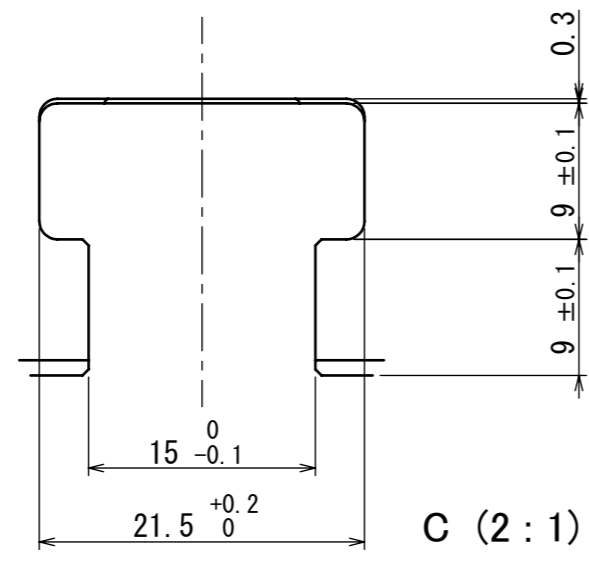
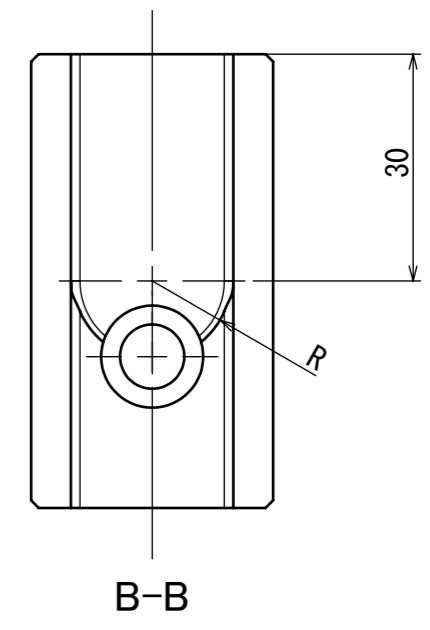
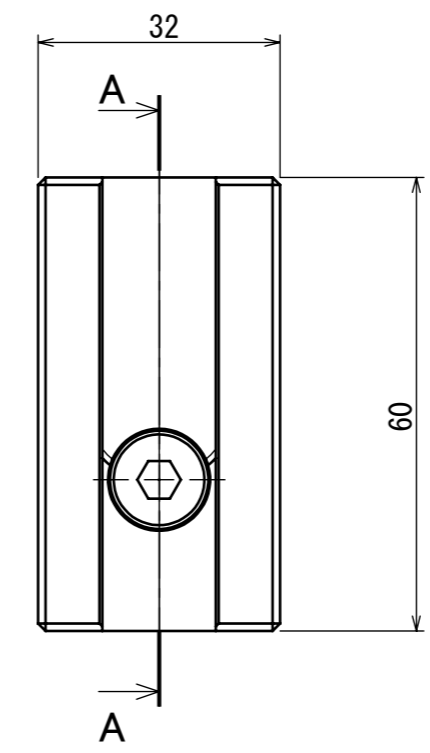
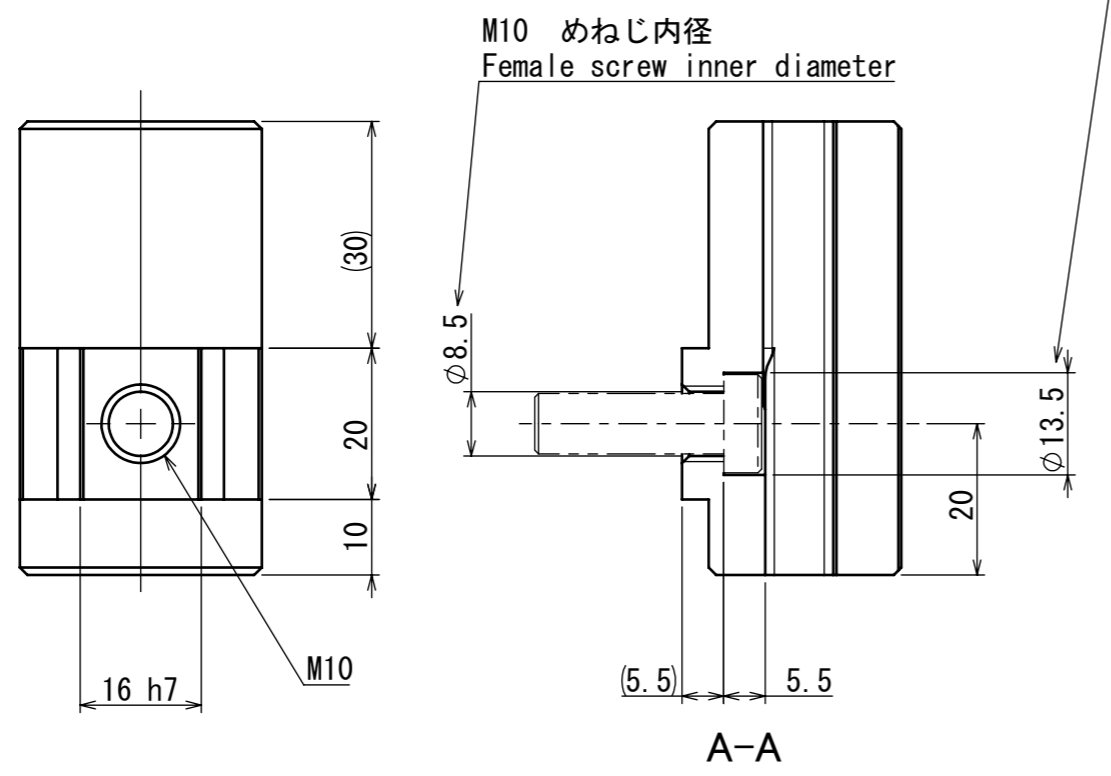


REV. NO.	DATE	REASON OF REVISION	REVISER	QUANTITY
1	2024/03/29		増田	2



<sup>1</sup>  
 低頭六角穴付ボルトCBS8(ミスミ) 使用可能(客先手配)  
 Low head hexagon socket head bolt  
 CBS8(MISUMI) available(Customer arrangement)



対応型式  
 CORRECT TYPE

Tナット型式 T-NUT TYPE	BR-AJC08M
----------------------	-----------

<sup>1</sup> BR-AJC08A

CAREER		SCALE	TYPE	BR-AJC08S
		1:1		BR-AJC 8
APPROVAL	INSPECTION	DRW 3D	NAME	BR-AJC08S OUTSIDE VIEW
		増田		
Kitagawa Corporation		DATE	3RD ANGLE	DRW NO.
		2024/02/05		61P866027 <sup>1</sup> / <sub>1</sub> P