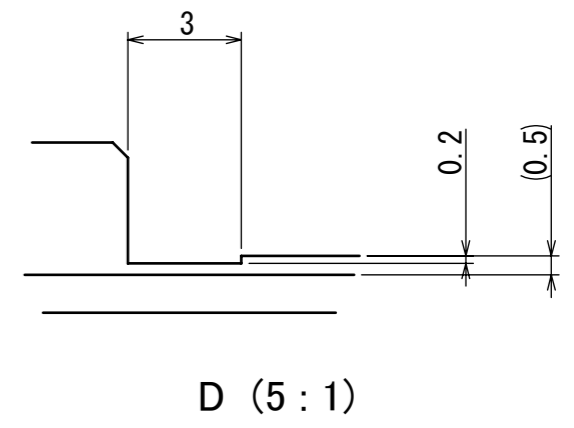
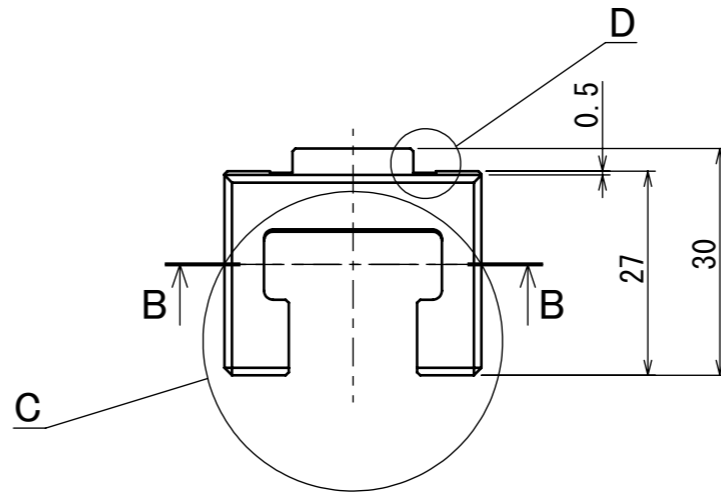
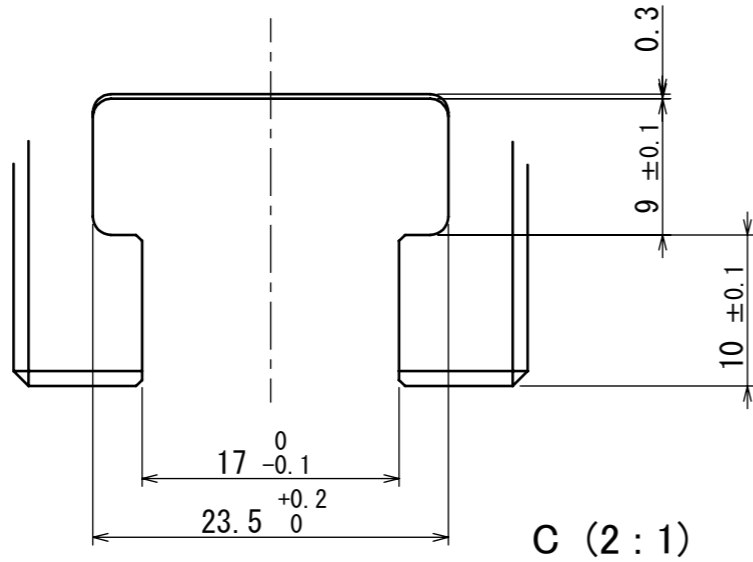
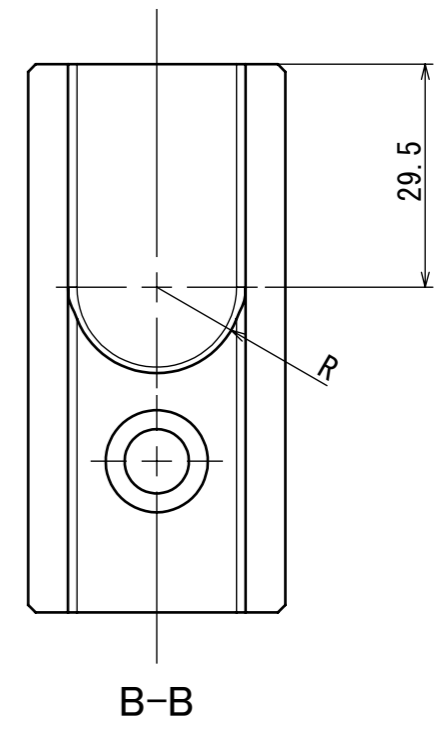
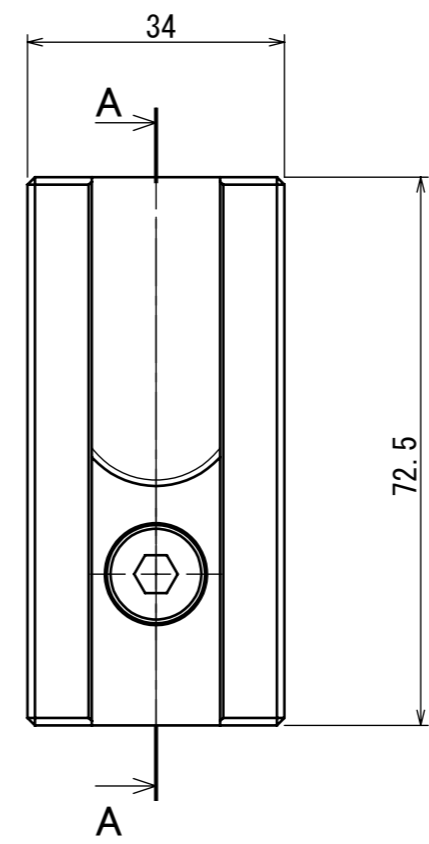
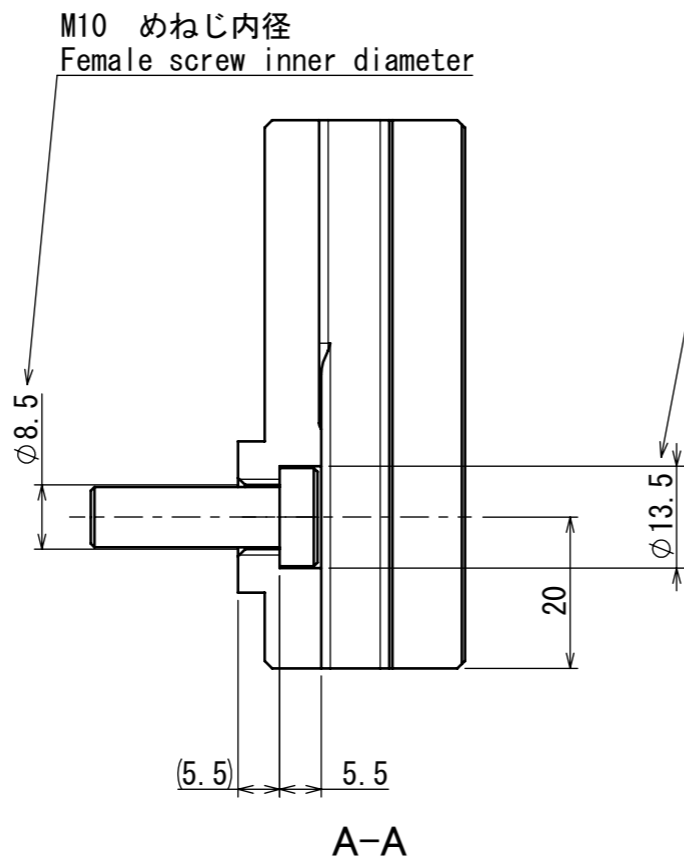
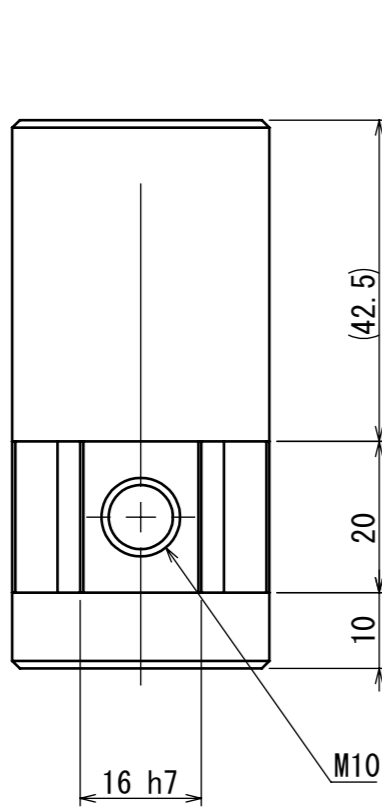


REV. NO.	DATE	REASON OF REVISION	REVISER	QUANTITY
1	2024/03/29		増田	2



低頭六角穴付ボルトCBS8(ミスミ) 使用可能 (客先手配)
 Low head hexagon socket head bolt
 CBS8 (MISUMI) available (Customer arrangement)



対応型式
CORRECT TYPE

Tナット型式 T-NUT TYPE	BR-AJC10M
----------------------	-----------

1 BR-AJC10A

CAREER		SCALE	TYPE	BR-AJC10S
		1:1		BR-AJC 10
APPROVAL	INSPECTION	DRW 3D	NAME	BR-AJC10S OUTSIDE VIEW
		増田		
Kitagawa Corporation		DATE	3RD ANGLE	DRW NO.
		2024/02/05		61P866029 1/1 P