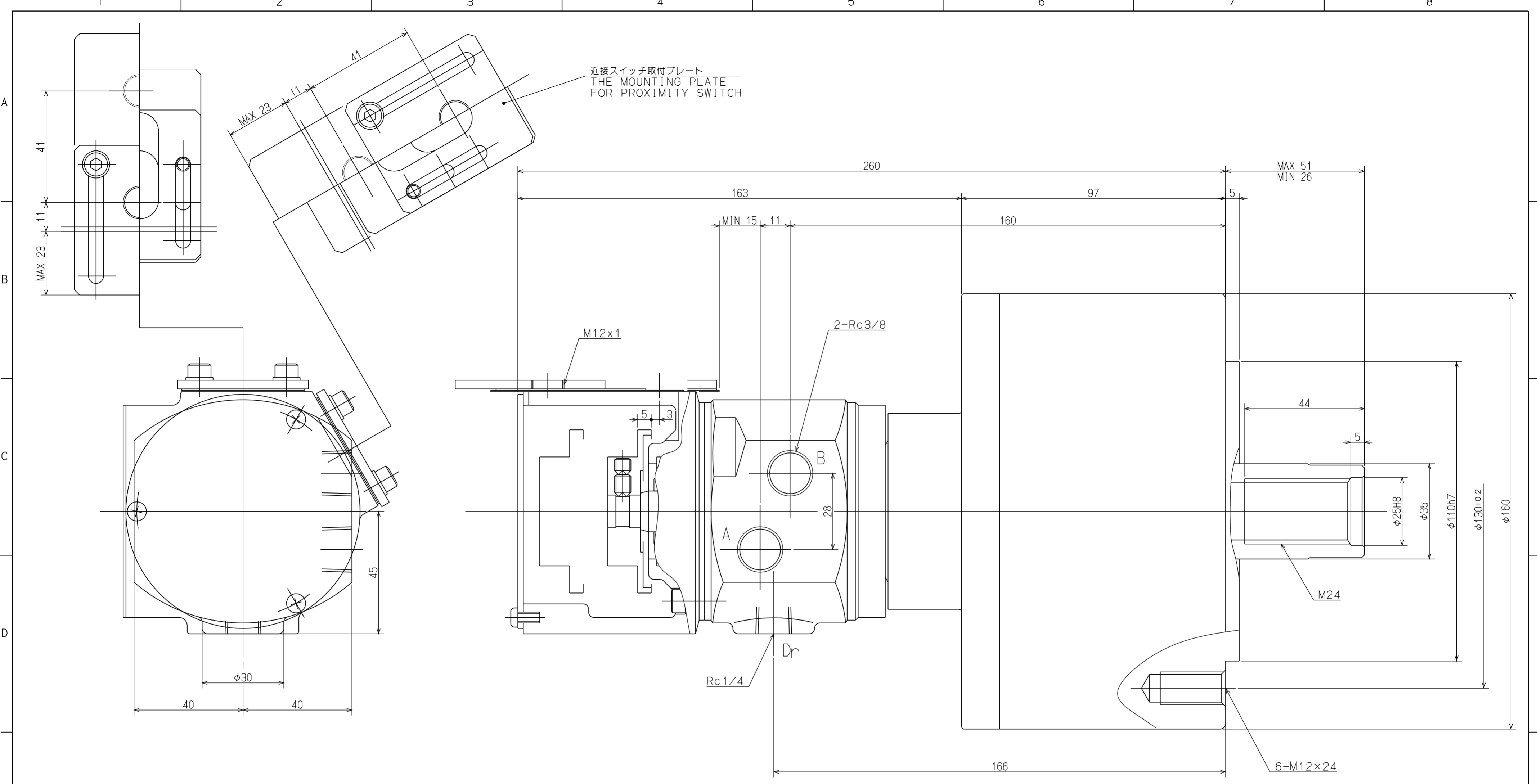


近接スイッチ取付プレート  
THE MOUNTING PLATE  
FOR PROXIMITY SWITCH



SPECIFICATIONS	
PISTON DIA	125 mm
PISTON STROKE	25 mm
PISTON THRUST PUSH (AT MPa)	45 kN
PULL	42 kN
MAX. OPERATING PRESSURE	4.0 MPa
MAX. SPEED	6000 min <sup>-1</sup>
MASS	10.5 kg
MOMENT OF INERTIA	0.023 kg·m <sup>2</sup>
OIL LEAKAGE ISO.VG 32.50°C.3.0MPa	0.8 l/min

CAREER		SCALE	1:1	TYPE	Y1225RE47	WEIGHT	kg
MANAGER	CHIEF	DRAWN BY		NAME	Y1225RE47 ガイキ Y1225RE47 OUTSIDE VIEW		
Kitagawa Corporation		DATE		3RD ANGLE		DRW NO.	61R 23 0135