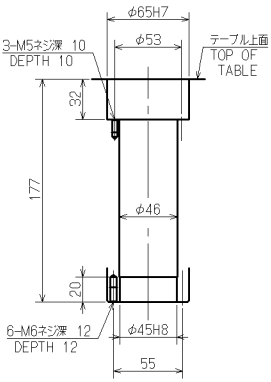
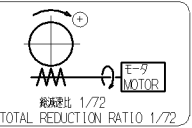
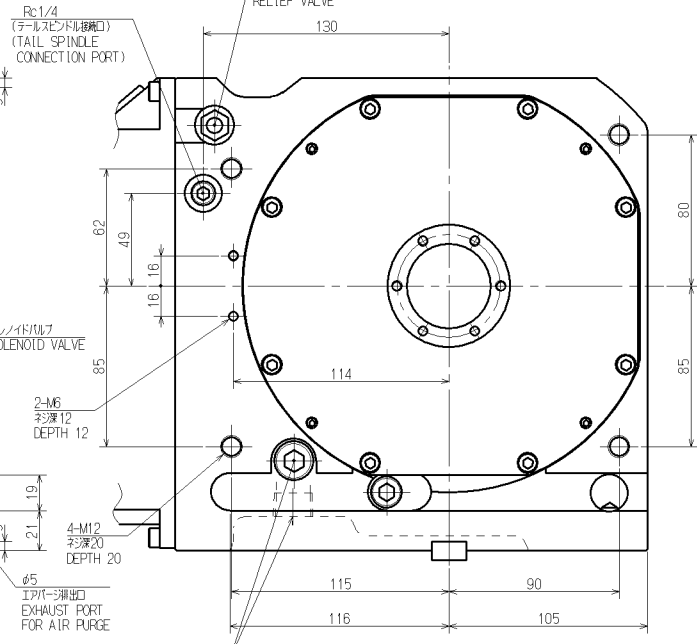
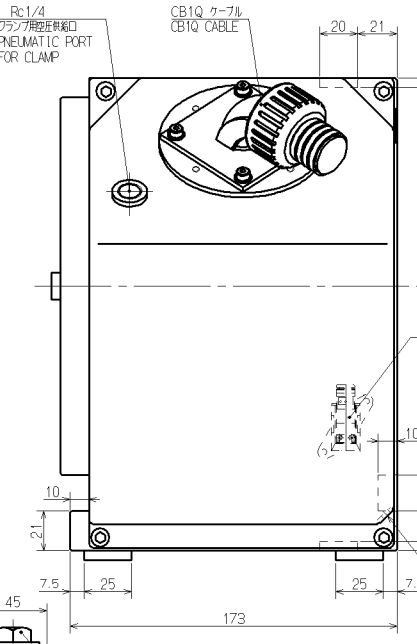


Quinteへ
TO Quinte



スピンドル穴
SPINDLE THROUGH-HOLE
(S=1/3)



クラмп器具 付属品 4組
CLAMPING PARTS ACCESSORY 4 PAIR

CAREER				SCALE	TYPE	GT200RAV00	WEIGHT	k8
MANAGER	CHIEF	DRAWN BY		NAME				
DATE				3RD ANGLE		DRW NO.		
KITAGAWA IRON WORKS CO.,LTD.				DHP-GT200RAV00				