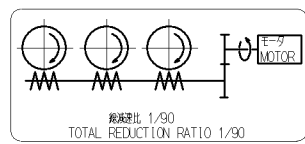
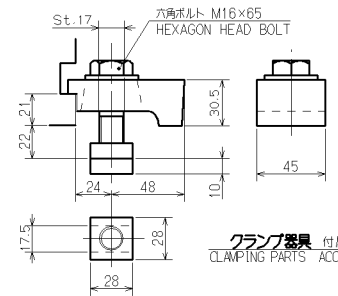
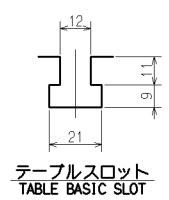
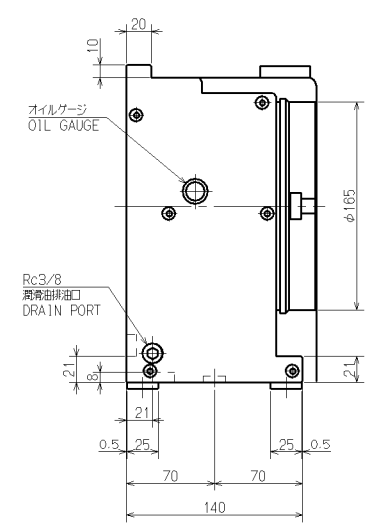


スピンドル穴
SPINDLE THRU-HOLE



CAREER			SCALE	TYPE	WEIGHT	kg
MANAGER	CHIEF	DRAWN BY	3RD ANGLE	NAME		
KITAGAWA IRON WORKS CO.,LTD.				DATE	DRW NO.	DHP-TM3160AV00