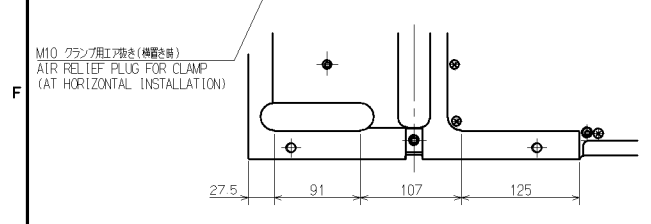
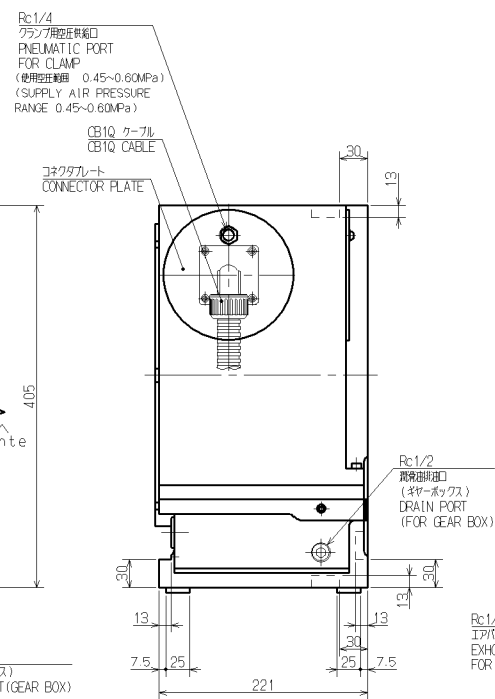
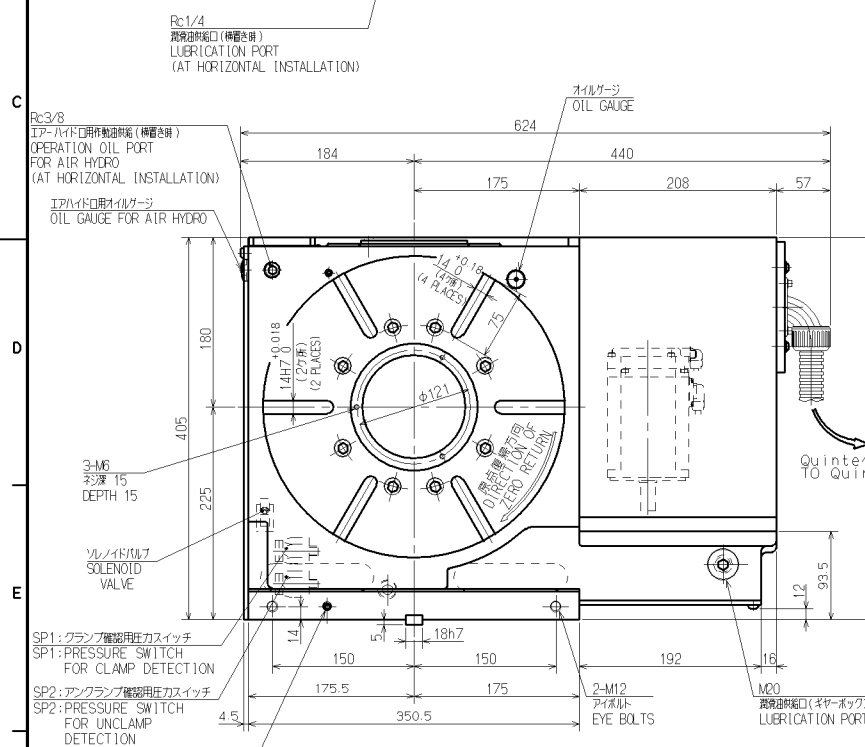
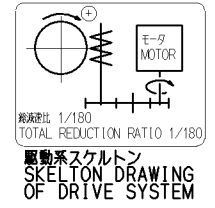


スピンドル穴
 SPINDLE THRU-HOLE



テーブルT溝
 T-SLOT FOR ROTARY TABLE
 (S=1/2)



CAREER		SCALE		TYPE		TRX320BV00		WEIGHT		kg	
MANAGER	CHIEF	DRAWN BY		NAME							
KITAGAWA IRON WORKS CO.,LTD.		DATE		3RD ANGLE		DRW NO.		DHP-TRX320BV00			