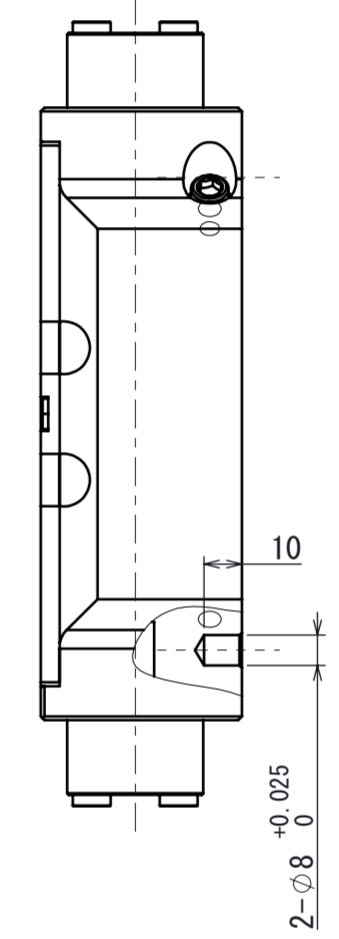
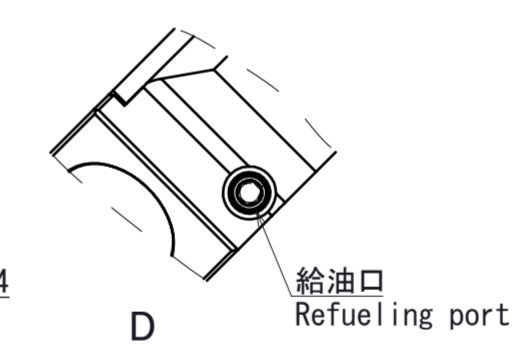
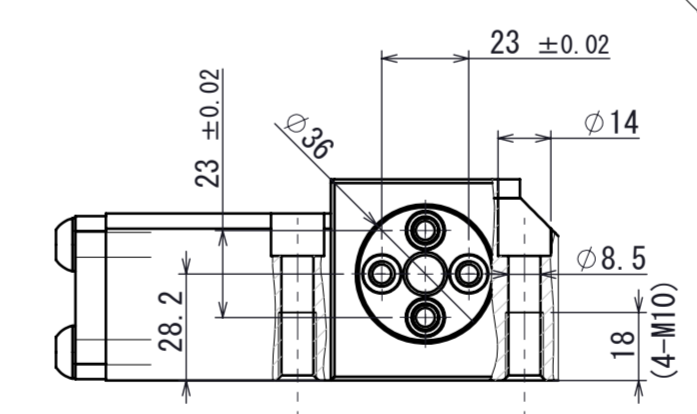
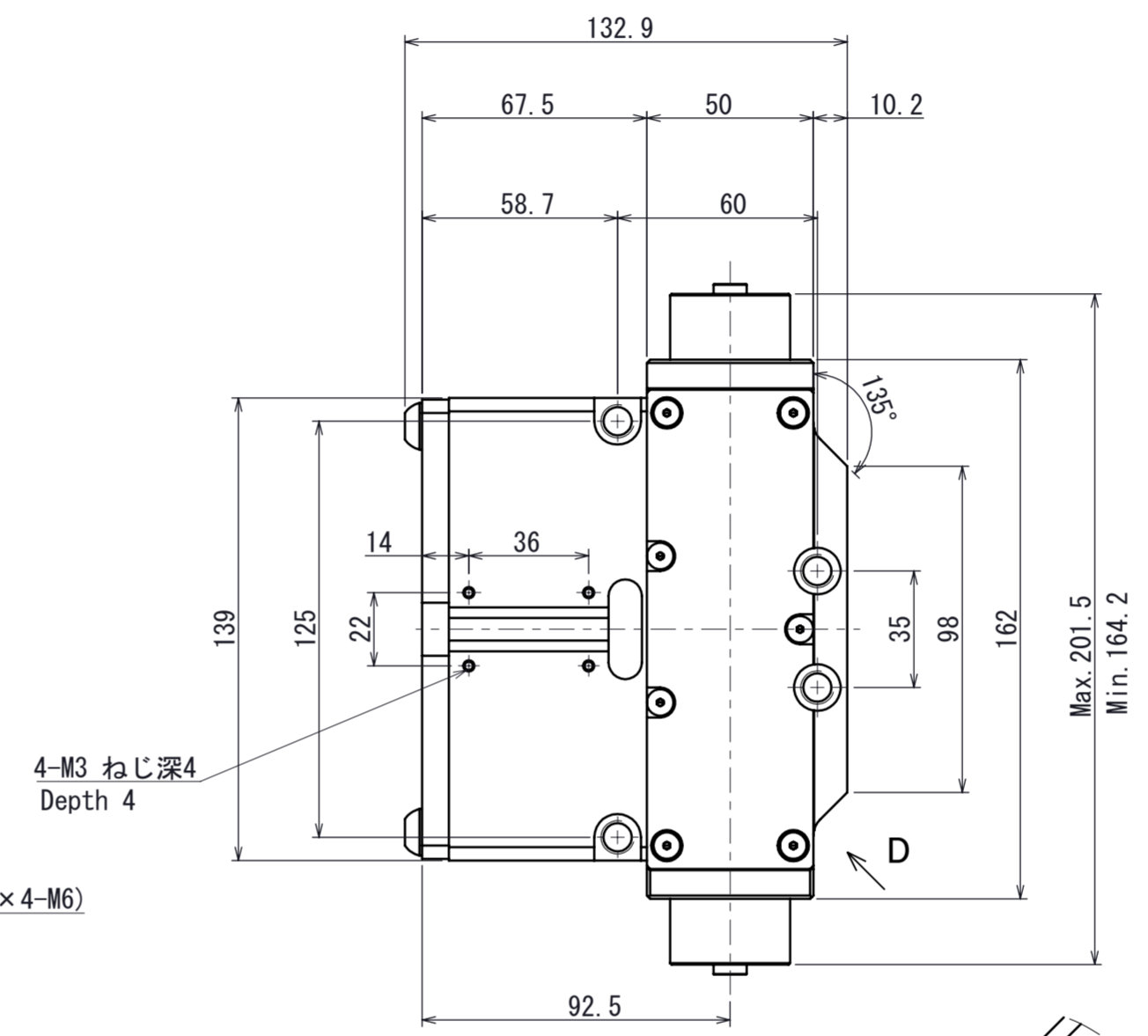
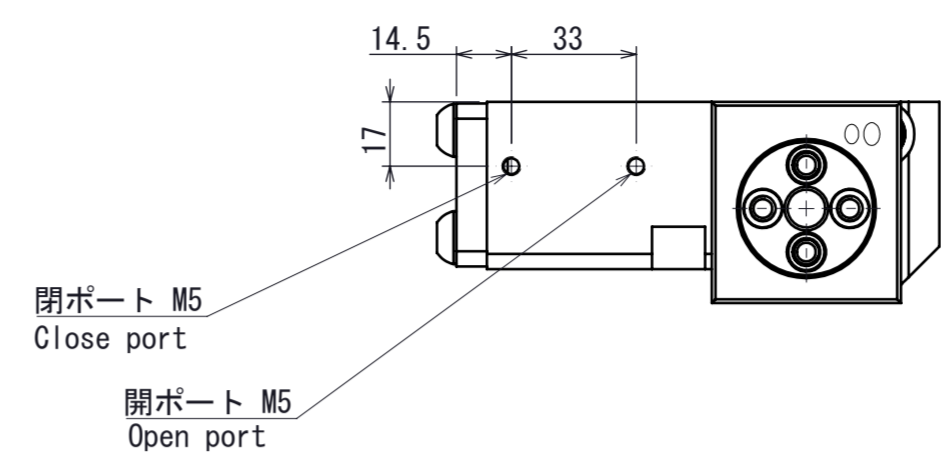
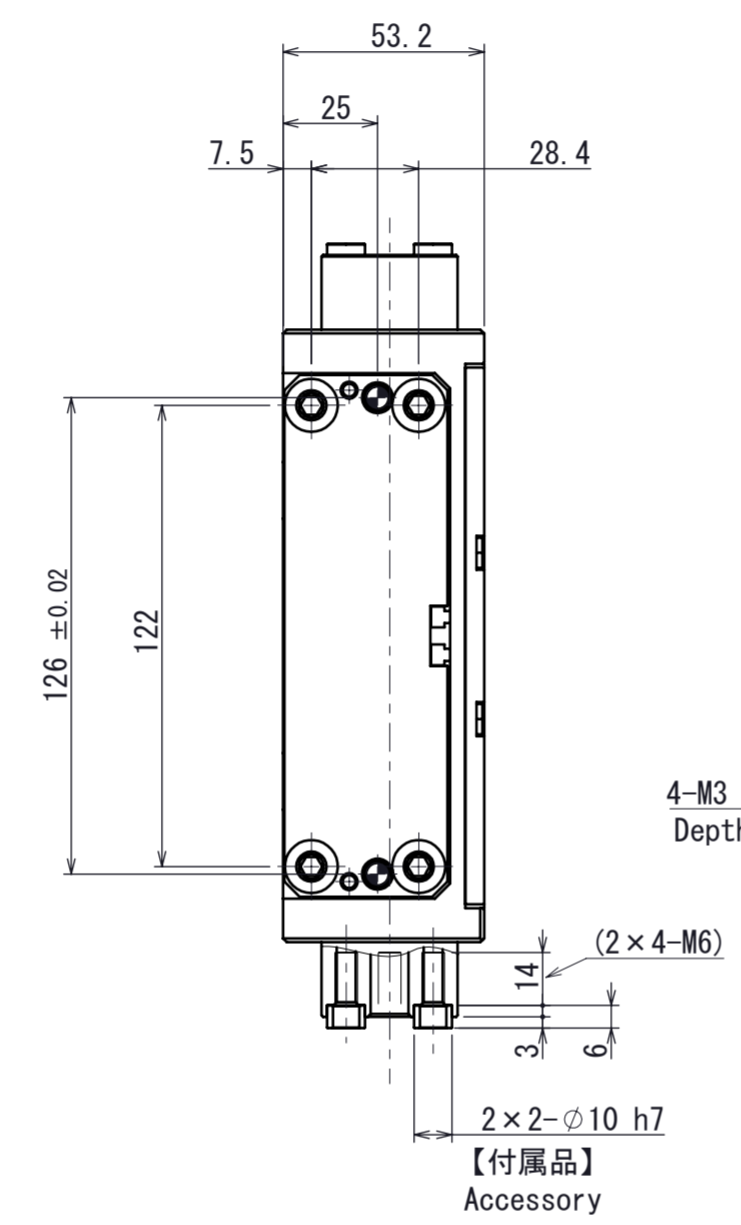


ベース配管詳細
Detail of direct connecting



CAREER		SCALE		TYPE	NPL216
APPROVAL		1:2		NAME	GRIPPER
INSPECTION		DRW	3D	NPL216 OUTSIDEVIEW	
DATE		3RD ANGLE			
Kitagawa Corporation		DATE		DRW NO.	61G295225 1 1/1 P