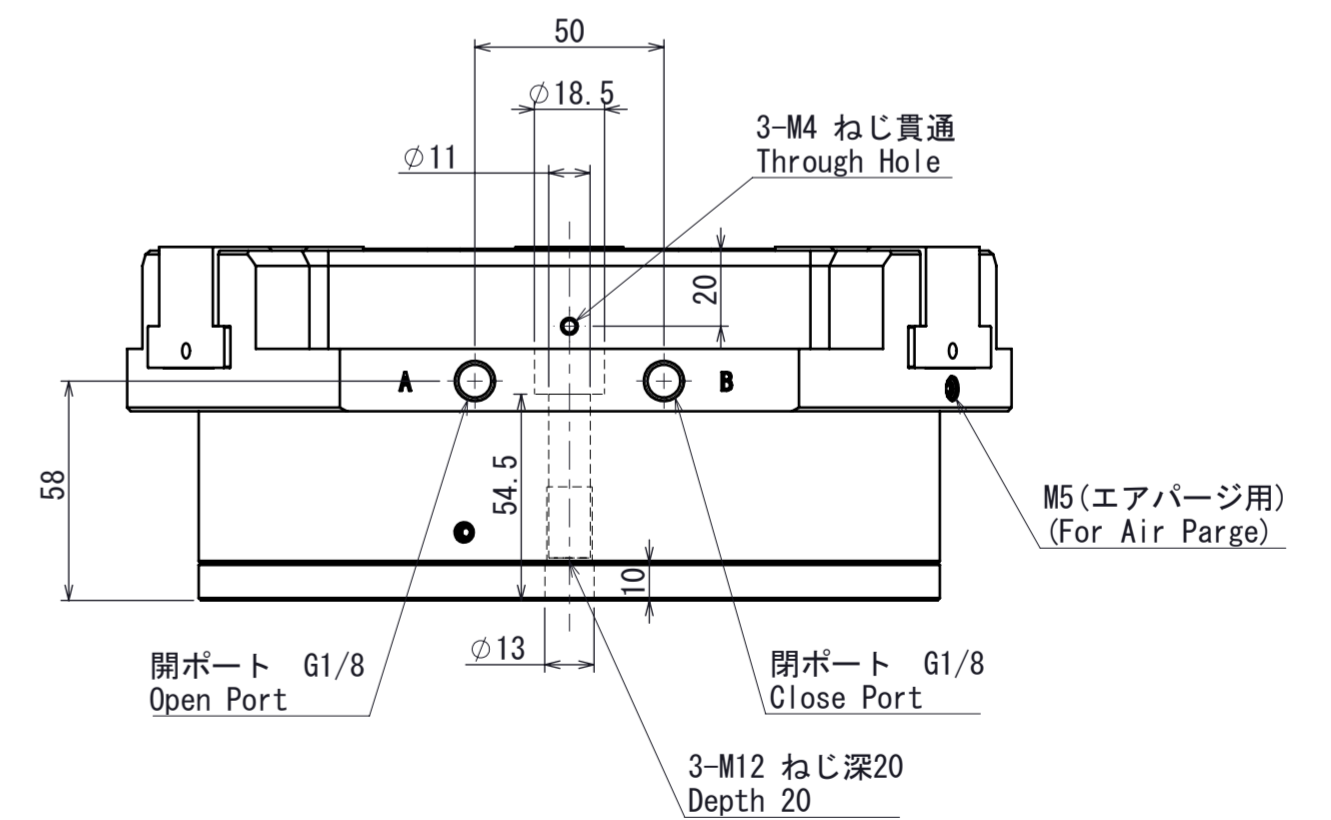
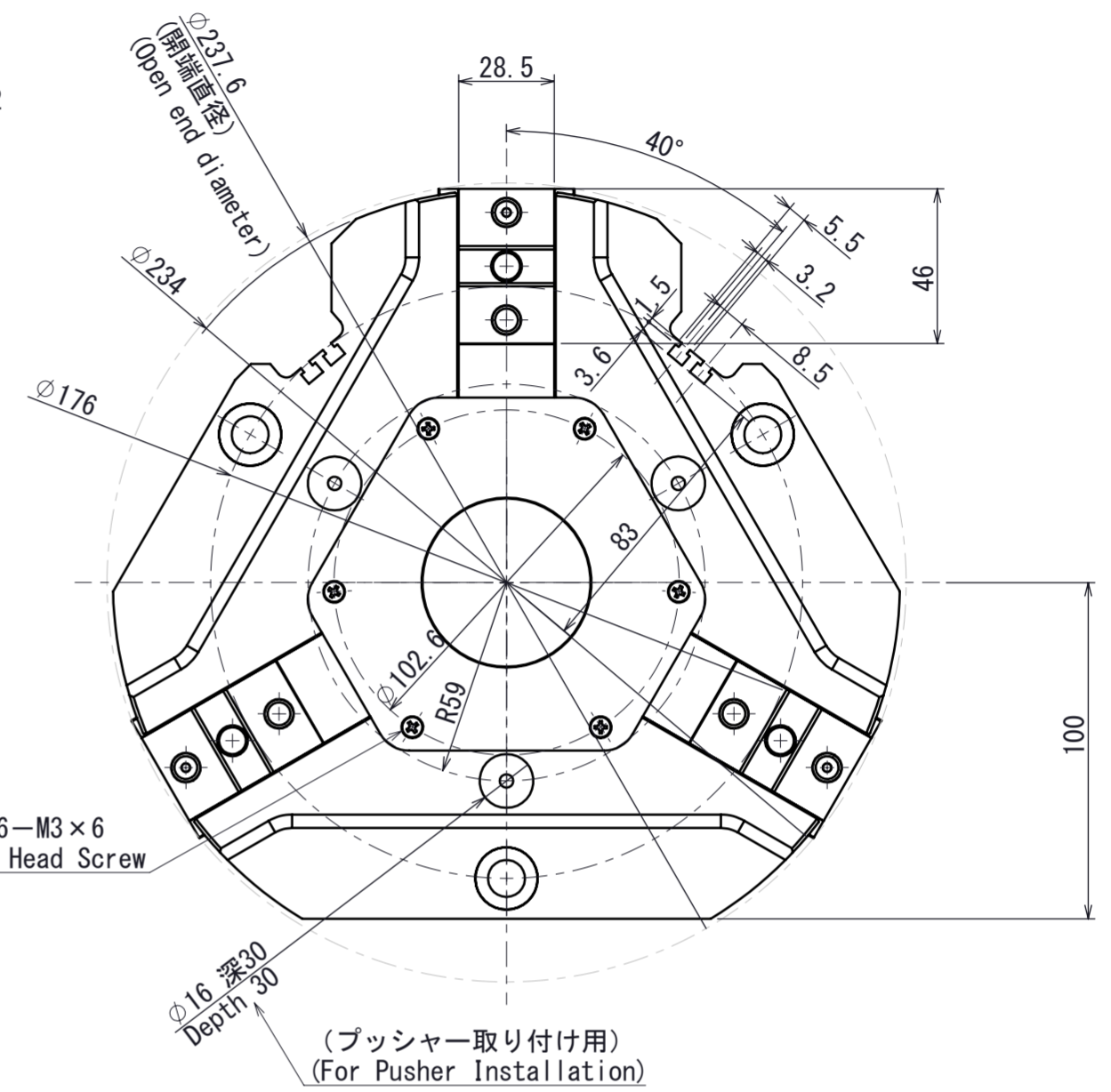
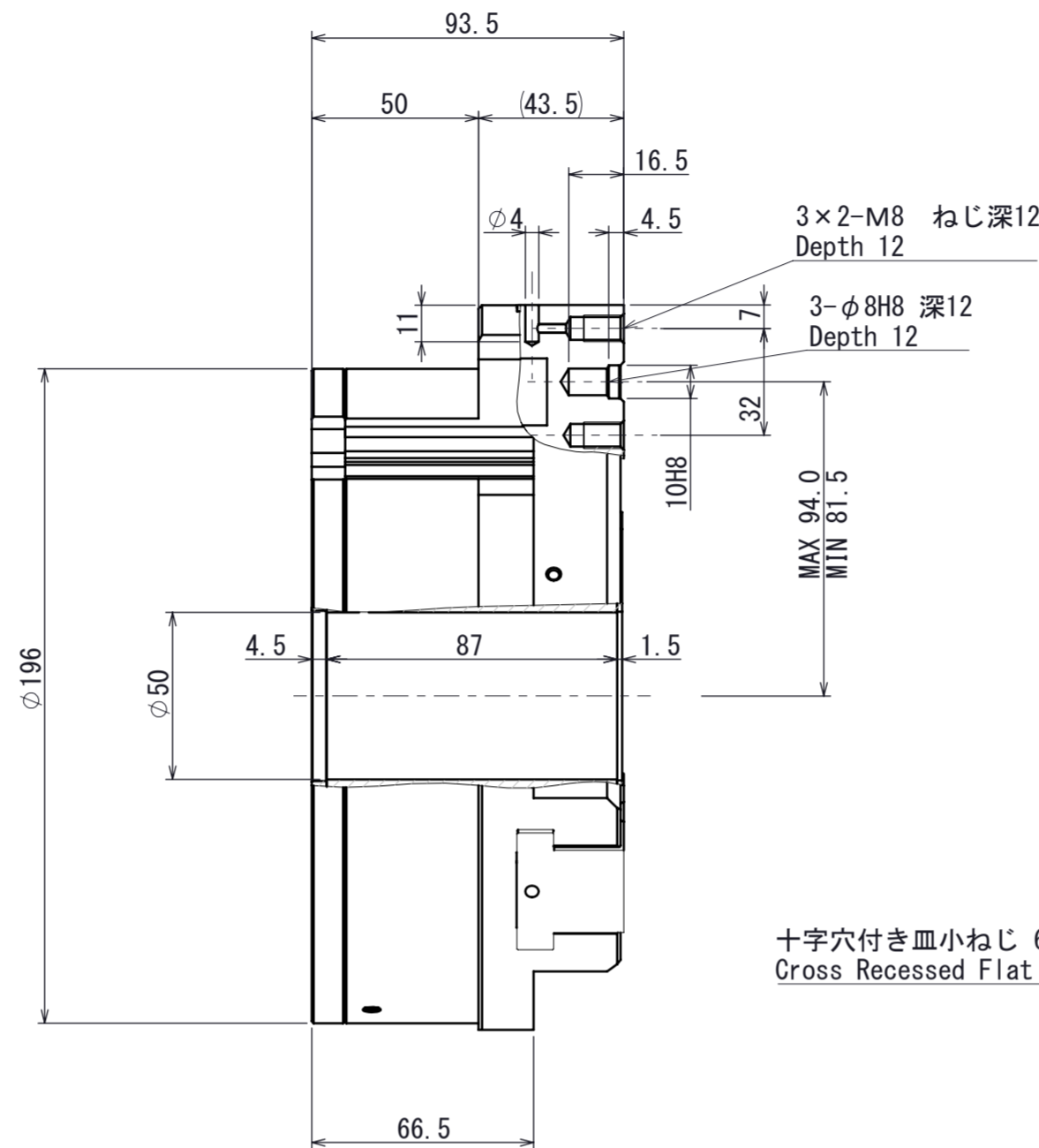


ベース配管詳細
 Detail of direct connecting



CAREER	61G294380	SCALE	TYPE	NTB317
		1:2		GRIPPER
APPROVAL	INSPECTION		DRW	3D
				NTB317
			3RD ANGLE	OUTSIDE VIEW
Kitagawa Corporation	DATE		DRW NO.	61G296760 0 1/1 P