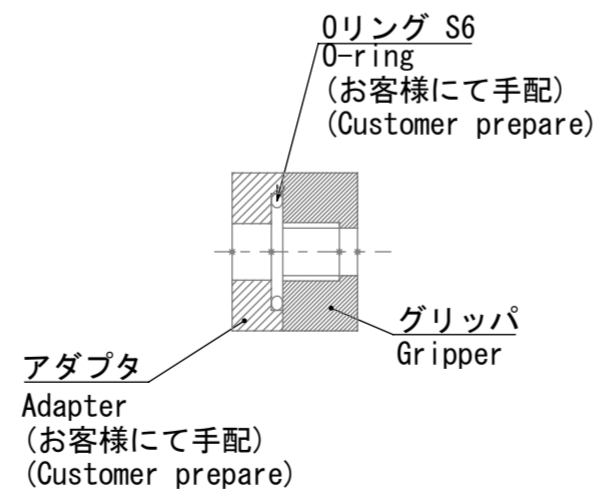
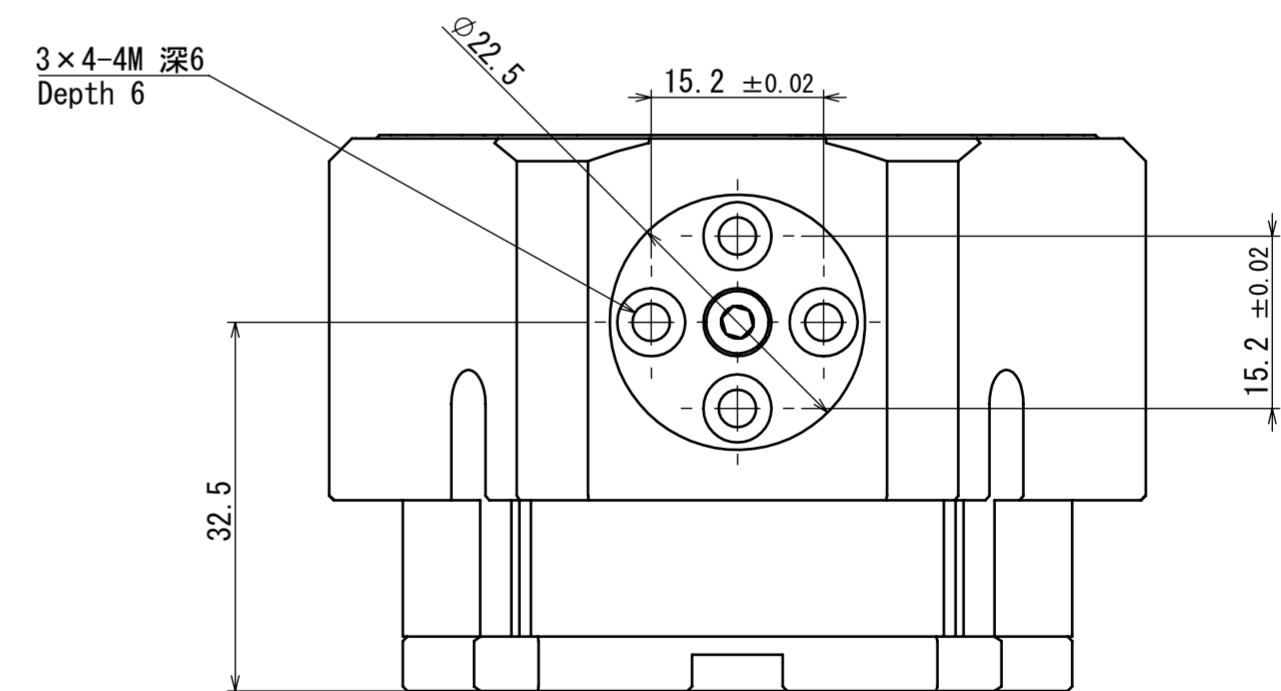
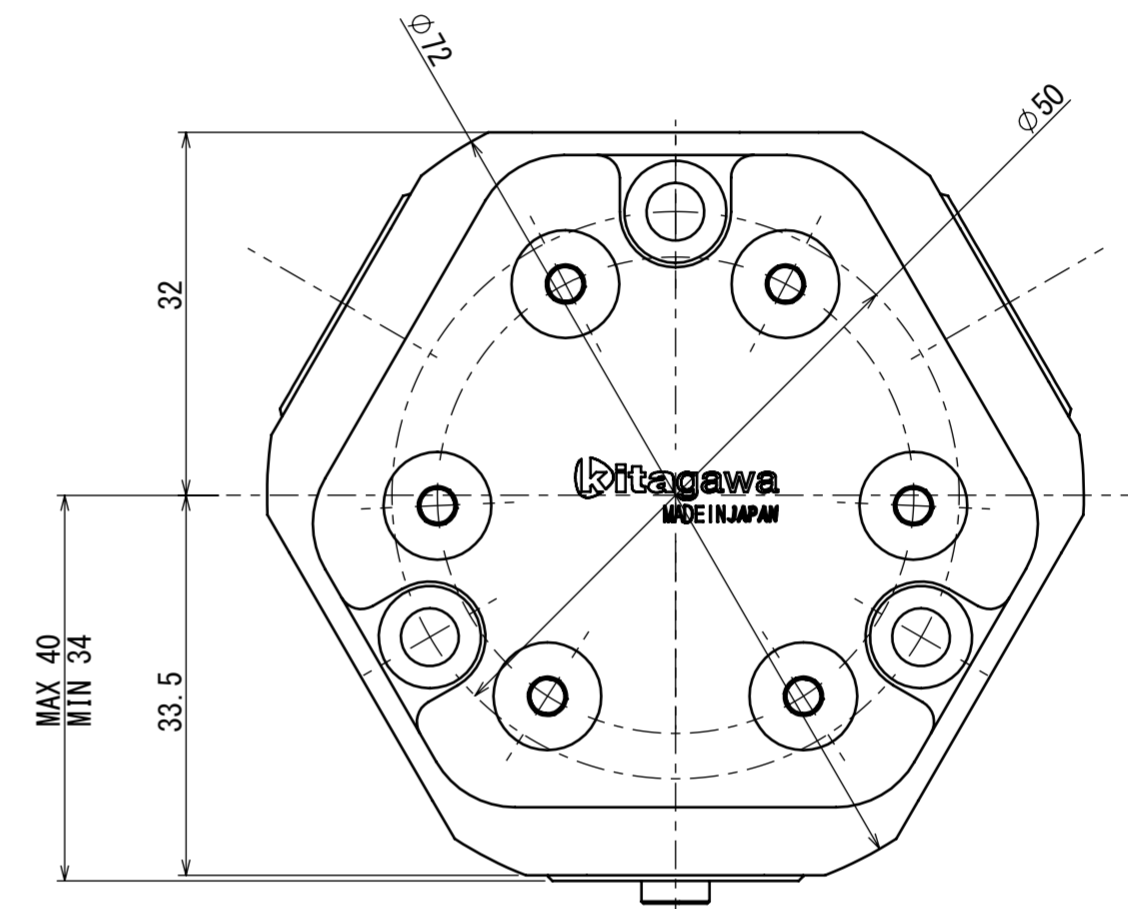
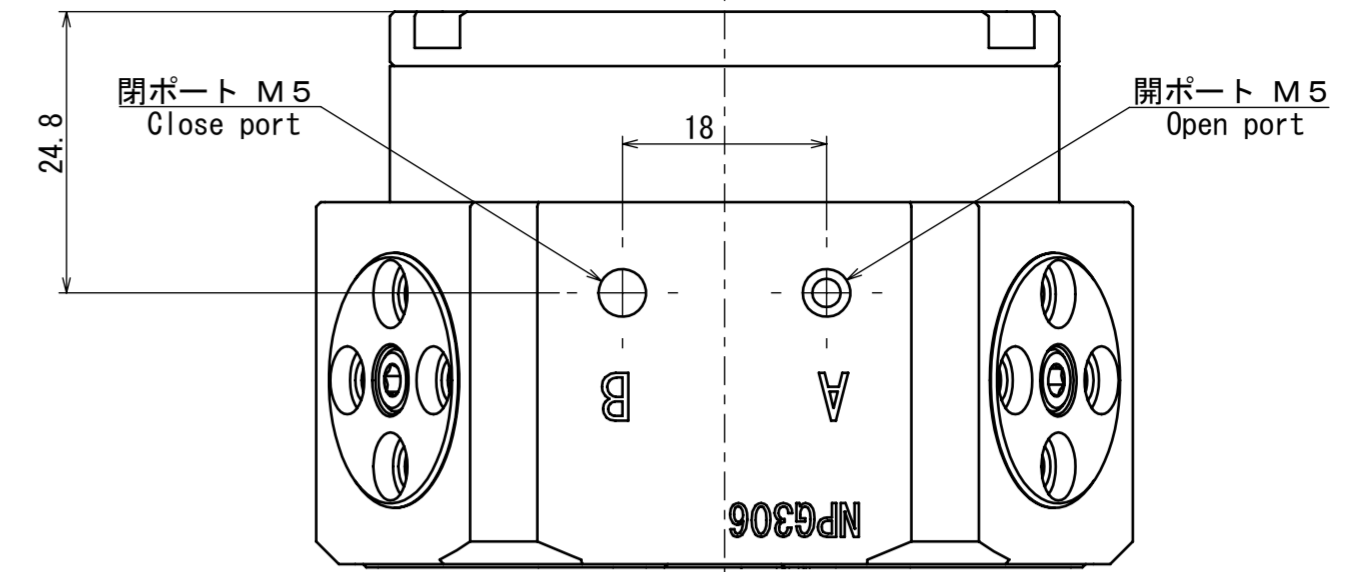


シールキャップボルト M3
(ゲリース給油口)
Seal cap bolt M3
(Grease supply port)



ベース配管詳細
Detail of direct connecting



CAREER		SCALE	TYPE	NPG306
APPROVAL		INSPECTION	DRW	3D
Kitagawa Corporation		DATE	SCALE	3:2
			3RD ANGLE	GRIPPER
			NAME	NPG306 OUTSIDE VIEW
			DRW NO.	61G297347 0 1/1 P