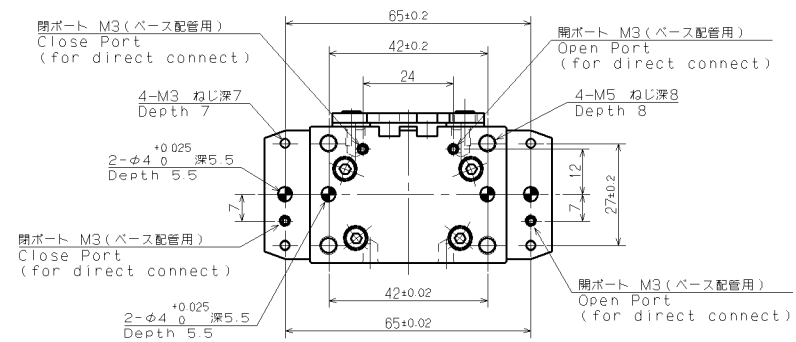
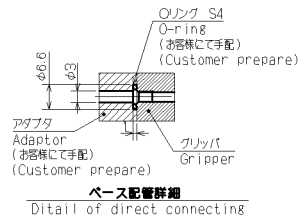
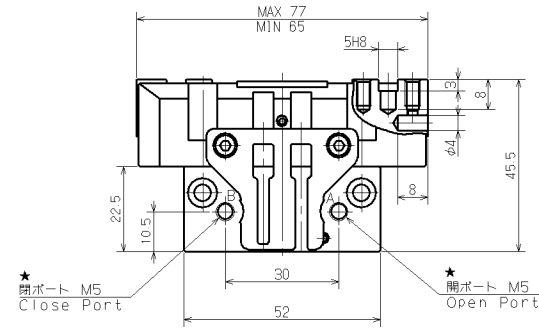
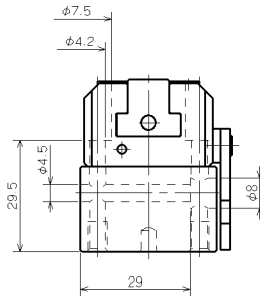
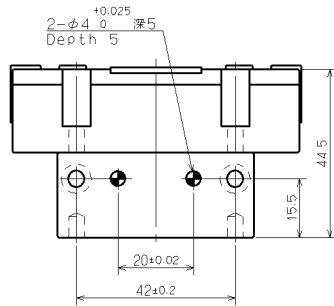
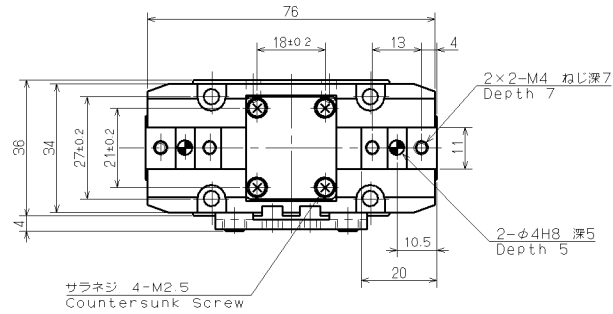


CUSTOMER		
MOD. NO.	DATE	REASON OF REVISION
1	19.08.02	ADJUSTMENT



CAREER			SCALE	TYPE	NTS206	WEIGHT	kg
MANAGER	CHIEF	DRAWN BY	1:1	NAME	グリッパ		
		DATE	3RD ANGLE	NAME	NTS206		
				NAME	ガイケイ		
KITAGAWA IRON WORKS CO.,LTD.				DRW NO.	61G 28 7764		1